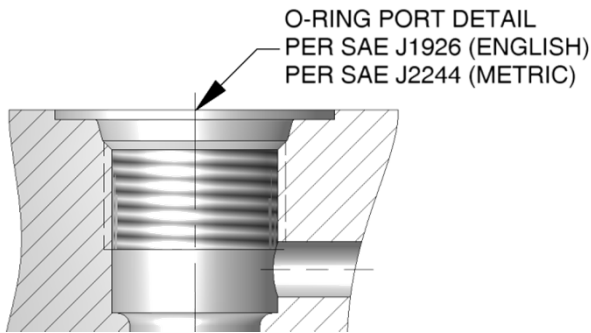


### CONNECTION IMAGE



TYPICAL THREADED CONNECTION FOR CARTRIDGE PRODUCT

### CONNECTION DETAILS / PERFORMANCE

SEE **SAE J1926** – CONNECTIONS FOR GENERAL USE AND FLUID POWER – PORTS AND STUD ENDS WITH ISO 725 THREADS AND O-RING SEALING.

SEE **SAE J2244** – CONNECTIONS FOR FLUID POWER AND GENERAL USE – PORTS AND STUD ENDS WITH ISO 261 THREADS AND O-RING SEALING.

SEE **VONBERG TECHNICAL SPECIFICATIONS – CAVITY DETAILS** FOR SPECIFIC CAVITY DIMENSIONS.

### CAUTIONS

- ⚠ **USE WRENCHES WITH FLAT ENGAGEMENT SURFACES (i.e. – OPEN END, CRESCENT WRENCH, OR SOCKET), PIPE WRENCHES CAN DAMAGE VALVE BODY!**
- ⚠ **USING WRENCH HANDLE EXTENSIONS OR “CHEATER BARS” CAN LEAD TO OVER-TORQUE OF CONNECTION AND VALVE DAMAGE, MALFUNCTION, OR FAILURE!**

### DESCRIPTION

1. INSPECT MALE AND FEMALE THREADS, PORT AND MATING SURFACES, AND O-RINGS TO ENSURE THAT ALL ARE FREE OF BURRS, NICKS, SCRATCHES OR ANY FOREIGN MATERIAL.
2. LUBRICATE O-RINGS WITH LIGHT COATING OF SYSTEM FLUID OR COMPATIBLE OIL.
3. SCREW THE VALVE INTO THE MATING PORT OR FITTING UNTIL THE O-RING(S) IS FULLY ENGAGED. LIGHT WRENCHING MAY BE NECESSARY.

*NOTE: IF THREADING BECOMES DIFFICULT BEFORE O-RING IS ENGAGED, UN-SCREW VALVE AND ENSURE COMPONENTS ARE NOT CROSS-THREADED OR DAMAGED.*

4. TIGHTEN TO RECOMMENDED TORQUE FOR THE CORRESPONDING THREAD SIZE FROM THE TABLE BELOW.

CAVITY SIZE	CARTRIDGE THREAD SIZE	ASSEMBLY TORQUE (ft.-lbs.) +10% / -0	HEX (TYPICAL) (in.)
04 – X	7/16 – 20 UNF – 2A	10	0.562
06 – X	9/16 – 18 UNF – 2A	15	0.688
08 – X	3/4 – 16 UNF – 2A	20	0.875
10 – X	7/8 – 14 UNF – 2A	25	1.000
12 – X	1 1/16 – 12 UN – 2A	40	1.250
16 – X	1 5/16 – 12 UN – 2A	60	1.500
T-163A	M16 X 1.5 – 6H	20	0.750
T-11A	M20 X 1.5 – 6H	30	0.937
T-2A	1 – 14 UNS – 2A	45	1.120

This document, as well as all catalogs, price lists and information provided by Vonberg Valve, Inc., is intended to provide product information for further consideration by users having substantial technical expertise due to the variety of operating conditions and applications for these valves, the user, through its own analysis, testing and evaluation, is solely responsible for making the final selection of the products and ensuring that all safety, warning and performance requirements of the application or use are met. The valves described herein, including without limitation, all component features, specifications, designs, pricing and availability, are subject to change at any time at the sole discretion of Vonberg Valve, Inc. without prior notification.