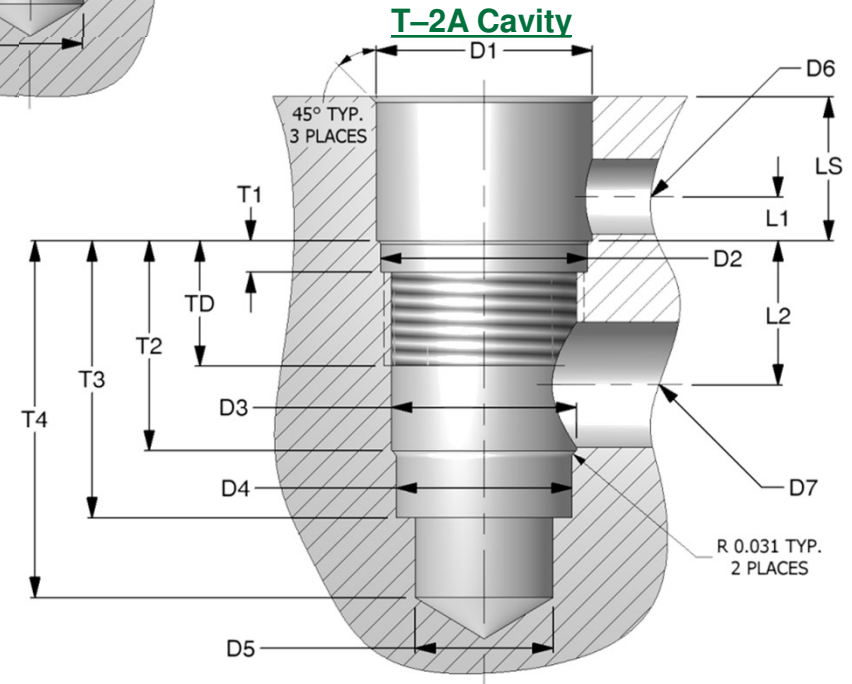


NOTES:
ALL DIMENSIONS IN INCHES
DEPTHS MEASURED FROM LOCATING
SHOULDER (LS)
UNSPECIFIED TOLERANCES ARE +/- 0.005".

**ALL O-RING "LEAD-IN's" TO BE SMOOTH
AND FREE OF NICKS AND SHARP EDGES.



CAVITY	T - 163A	T - 11A	T - 2A
THREAD	M16 X 1.5 - 6H	M20 X 1.5 - 6H	1.0" - 14 UNS - 2B
TD (MIN.)	0.531	0.500	0.625
LS (MIN.)	0.609	0.688	0.719
D1	0.703 / 0.705	0.859 / 0.861	1.078 / 1.080
D2	0.656 / 0.658	0.812 / 0.814	1.031 / 1.033
D3	0.570 / 0.574	0.730 / 0.734	0.933 / 0.937
D4	0.515 / 0.517	0.687 / 0.689	0.875 / 0.877
D5	0.406	0.531	0.688
D6 (MAX.)	0.312	0.422	0.375
D7 (MAX.)	0.531	0.688	0.625
L1	0.188	0.219	
L2	0.641	0.719	
T1	0.156		
T2	0.908	1.078	1.047
T3	1.219 / 1.222	1.380 / 1.385	1.383 / 1.387
T4 (MIN.)	1.280	1.590	1.750

This document, as well as all catalogs, price lists and information provided by Vonberg Valve, Inc., is intended to provide product information for further consideration by users having substantial technical expertise due to the variety of operating conditions and applications for these valves, the user, through its own analysis, testing and evaluation, is solely responsible for making the final selection of the products and ensuring that all safety, warning and performance requirements of the application or use are met. The valves described herein, including without limitation, all component features, specifications, designs, pricing and availability, are subject to change at any time at the sole discretion of Vonberg Valve, Inc. without prior notification.

V00_APR13