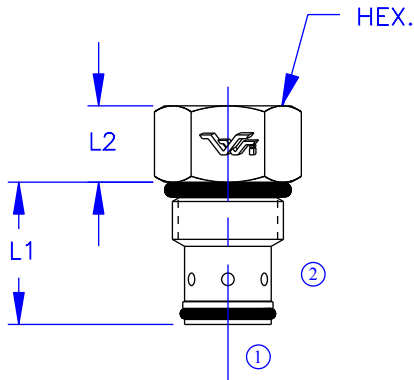




VELOCITY FUSE

CARTRIDGE

8100 SERIES



DESCRIPTION

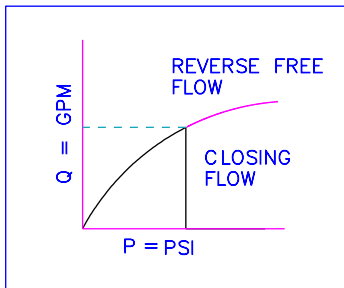
- A CARTRIDGE STYLE VELOCITY FUSE THAT PROVIDES FULL-LINE SHUT-OFF IN THE EVENT OF A LINE FAILURE.

OPERATION

- A FLOW BELOW THE SPECIFIED LIMIT IS ALLOWED FROM "1" TO "2".
- FLOW ABOVE THE SPECIFIED LIMIT IS ASSUMED TO BE A LINE FAILURE AND IS BLOCKED.
- FLOW FROM "2" TO "1" PASSES THRU THE CONTROLLING ORIFICE BUT IS UNCONTROLLED.
- CLOSING FLOW TOLERANCE= +15%/-0%.

FEATURES

- INDUSTRY COMMON CAVITY.
- STEEL COMPONENTS.
- RAPID RESPONSE.
- POSITIVE CLOSE.



- SPECIFICATIONS -

HYDRAULIC SYMBOL	
OPERATING PRESSURE	3500 PSI
TEMPERATURE RANGE	250°F TO -40°F
REOPENING DIFFERENTIAL	50 PSI
ALL DIMENSIONS IN INCHES	

- ORDERING INFORMATION -

ASSEMBLY NUMBER	81XX-XX
SERIES NUMBER	
PORT SIZE	
CLOSING FLOW (GPM)	

MODEL	THREAD	CAVITY	RATED FLOW	L1	L2	HEX
8108	3/4-16	8-2	0.2 - 5 GPM	1.10	0.50	0.875
8110	7/8-14	10-2	0.5 - 8 GPM	1.25	0.75	1.00
8112	1 1/16-12	12-2	1.0 - 15 GPM	1.81	0.94	1.25
8116	1 5/16-12	16-2	2.0 - 25 GPM	1.75	0.75	1.50



Vonberg Valve, inc.
HYDRAULIC VALVE SPECIALISTS

3800 INDUSTRIAL AVE.
ROLLING MEADOWS, IL 60008-1085
PH: (847) 259-3800 FAX: (847) 259-3997