

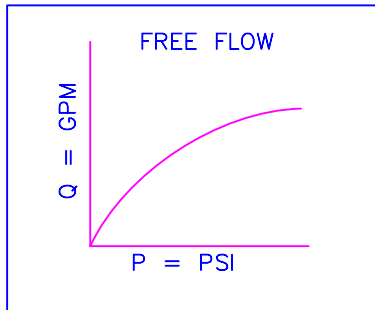
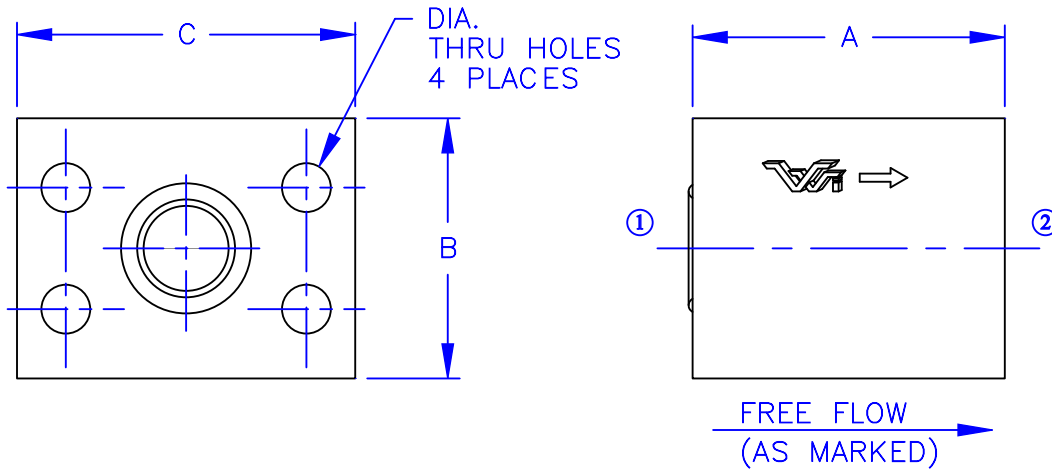


CHECK VALVE

90200 SERIES

IN-LINE

POPPET TYPE
SPLIT FLANGE



DESCRIPTION

- AN IN-LINE STYLE, CHECK VALVE INTENDED FOR BLOCKING FLUID FLOW.

OPERATION

- FLOW FROM "1" TO "2" IS ALLOWED WITH A STANDARD CRACK PRESSURE OF 5 PSI.
- FLOW FROM "2" TO "1" IS BLOCKED WITH A SPRING BIAS TO ASSIST IN STATIC AND LOW LOAD CONDITIONS.

FEATURES

- ALUMINUM BODY
- STEEL POPPET.
- NO INTERNAL PACKINGS.
- BOLT PATTERN FOR SAE STANDARD PRESSURE (CODE 61).
- LOW PRESSURE DROP.
- HYDRAULIC OILS-GENERAL.
- INCLUDES O-RING.
- * SPECIAL CRACK PRESSURES AVAILABLE UPON REQUEST.

- SPECIFICATIONS -	
HYDRAULIC SYMBOL	
OPERATING PRESSURE	3500 PSI
TEMPERATURE RANGE	250°F TO -40°F
STANDARD CRACK PRESSURE	5 PSI *
ALL DIMENSIONS IN INCHES	

- ORDERING INFORMATION -	
ASSEMBLY NUMBER	90200-XXX-XX
SERIES NUMBER	_____
FLANGE SIZE	_____
CRACK PRESSURE (PSI) (IF NON-STANDARD)	_____

MODEL	SAE FLANGE SIZE	CAPACITY	A	B	C	DIA.
90200-100	1.00	35 GPM	2.50	2.00	3.00	0.438
90200-125	1.25	60 GPM	3.00	2.50	3.25	0.469
90200-150	1.50	95 GPM	4.00	2.50	4.00	0.560
90200-200	2.00	130 GPM	4.00	3.00	4.00	0.560



Vonberg Valve, inc.

HYDRAULIC VALVE SPECIALISTS

3800 INDUSTRIAL AVE.

ROLLING MEADOWS, IL 60008-1085

PH: (847) 259-3800

FAX: (847) 259-3997