

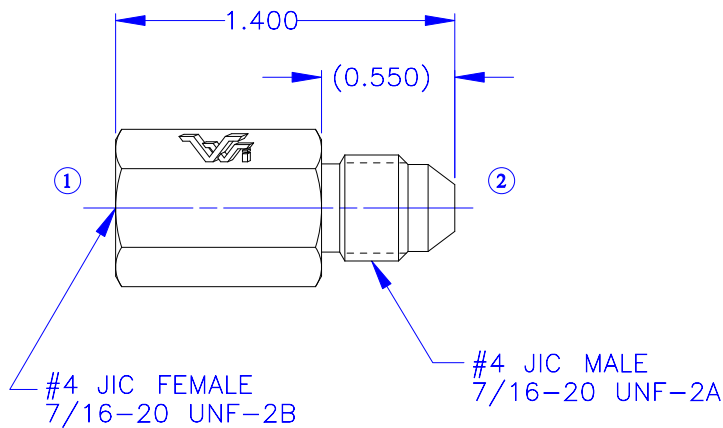


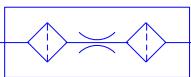
FLOW RESTRICTOR

90197

IN-LINE

FEMALE JIC TO
MALE JIC CONNECTIONS



- SPECIFICATIONS -	
HYDRAULIC SYMBOL	①  ②
OPERATING PRESSURE	50 PSI TO 3500 PSI
TEMPERATURE RANGE	250°F TO -40°F
ALL DIMENSIONS IN INCHES	

DESCRIPTION

- AN IN-LINE, FILTERED, FLOW RESTRICTOR.

OPERATION

- FLOW IS ALLOWED AND EQUALLY RESTRICTED IN BOTH DIRECTIONS.
- RESTRICTION IS NON PRESSURE COMPENSATED AND SUBJECT TO A STANDARD ORIFICE PRESSURE DROP CURVE.

FEATURES

- PLATED STEEL BODY.
- BY-DIRECTIONAL MICRON FILTRATION EQUAL TO 50% OF CONTROLLING ORIFICE OR LOWER.

- ORDERING INFORMATION -	
ASSEMBLY NUMBER	90197-0.XX
MODEL NUMBER	_____
ORIFICE DIA.	_____



Vonberg Valve, inc.
HYDRAULIC VALVE SPECIALISTS

3800 INDUSTRIAL AVE.
ROLLING MEADOWS, IL 60008-1085
PH: (847) 259-3800 FAX: (847) 259-3997