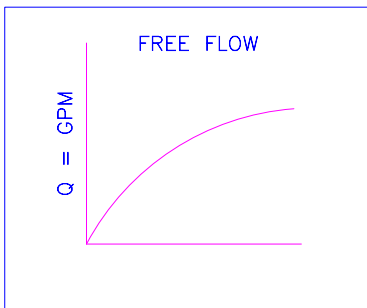
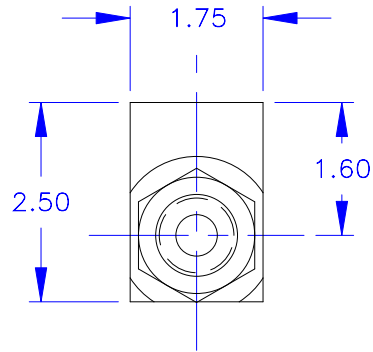
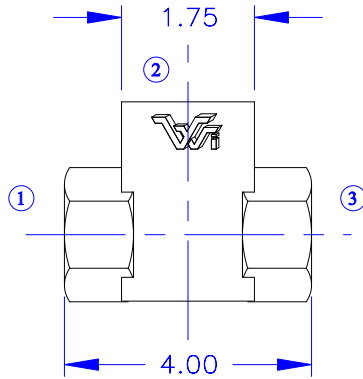




# SHUTTLE VALVE

60135 SERIES

BALL TYPE  
FEMALE NPTF OR SAE



### DESCRIPTION

- A SHUTTLE VALVE, FOR USE IN CIRCUITS WHERE THE PRIORITY OF FLOW DIRECTION IS GRANTED TO THE GREATER OF TWO INLETS.

### OPERATION

- FLOW FROM "1" OR "3" TO "2" IS ALLOWED.
- FLOW FROM "1" TO "3" IS BLOCKED.
- FLOW FROM "3" TO "1" IS BLOCKED.

### FEATURES

- ALUMINUM BODY.
- HARDENED STEEL SEATS.
- CHROME BALL.
- NO INTERNAL PACKINGS.

- SPECIFICATIONS -	
HYDRAULIC SYMBOL	
OPERATING PRESSURE	3500 PSI
TEMPERATURE RANGE	250°F TO -40°F
ALL DIMENSIONS IN INCHES	

PORT ID.	PORT SIZE
4	1/2-14 NPTF
6	3/4-14 NPTF
10T	#10 SAE 7/8-14 THD
12T	#12 SAE 1 1/16-12 THD

- ORDERING INFORMATION -	
ASSEMBLY NUMBER	60135-XX-ZZ**
SERIES NUMBER	_____
INLET PORTS	_____
OUTLET PORT	_____

\*\* WHEN INLET AND OUTLET PORTS MATCH, ONLY ONE SUFFIX IS NECESSARY



**Vonberg Valve, inc.**  
HYDRAULIC VALVE SPECIALISTS

3800 INDUSTRIAL AVE.  
ROLLING MEADOWS, IL 60008-1085  
PH: (847) 259-3800 FAX: (847) 259-3997