

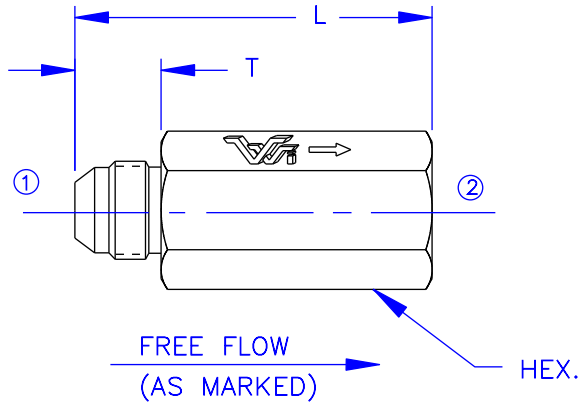


# CHECK VALVE

10101-600 SERIES

IN-LINE

BALL TYPE  
MALE JIC TO FEMALE NPTF



### DESCRIPTION

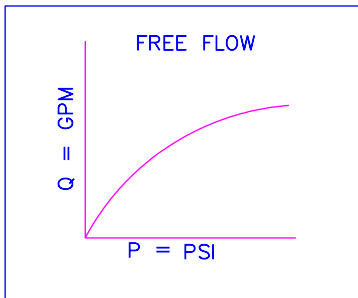
- AN IN-LINE STYLE, CHECK VALVE INTENDED FOR BLOCKING FLUID FLOW.

### OPERATION

- FLOW FROM "1" TO "2" IS ALLOWED WITH A STANDARD CRACK PRESSURE OF 5 PSI.
- FLOW FROM "2" TO "1" IS BLOCKED WITH A SPRING BIAS TO ASSIST IN STATIC AND LOW LOAD CONDITIONS.

### FEATURES

- STEEL BODY.
- CHROME BALL.
- LOW INTERNAL LEAKAGE, 5 DPM.
- NO INTERNAL PACKINGS.
- \* SPECIAL CRACK PRESSURES AVAILABLE UPON REQUEST.



- SPECIFICATIONS -	
HYDRAULIC SYMBOL	
OPERATING PRESSURE	3500 PSI
TEMPERATURE RANGE	250°F TO -40°F
STANDARD CRACK PRESSURE	5 PSI *
ALL DIMENSIONS IN INCHES	

- ORDERING INFORMATION -	
ASSEMBLY NUMBER	10101-60X-XX
SERIES NUMBER	
THREAD SIZE	
CRACK PRESSURE (PSI)	
(IF NON-STANDARD)	

MODEL	INLET 1	OUTLET 2	FLOW CAPACITY	L	T	HEX.
10101-606	#6 JIC 37° FLARE	1/4-18 NPTF	3 GPM	1.938	0.562	0.750
10101-608	#8 JIC 37° FLARE	3/8-18 NPTF	6 GPM	2.562	0.656	0.875



Vonberg Valve, inc.

HYDRAULIC VALVE SPECIALISTS

3800 INDUSTRIAL AVE.  
ROLLING MEADOWS, IL 60008-1085  
PH: (847) 259-3800 FAX: (847) 259-3997