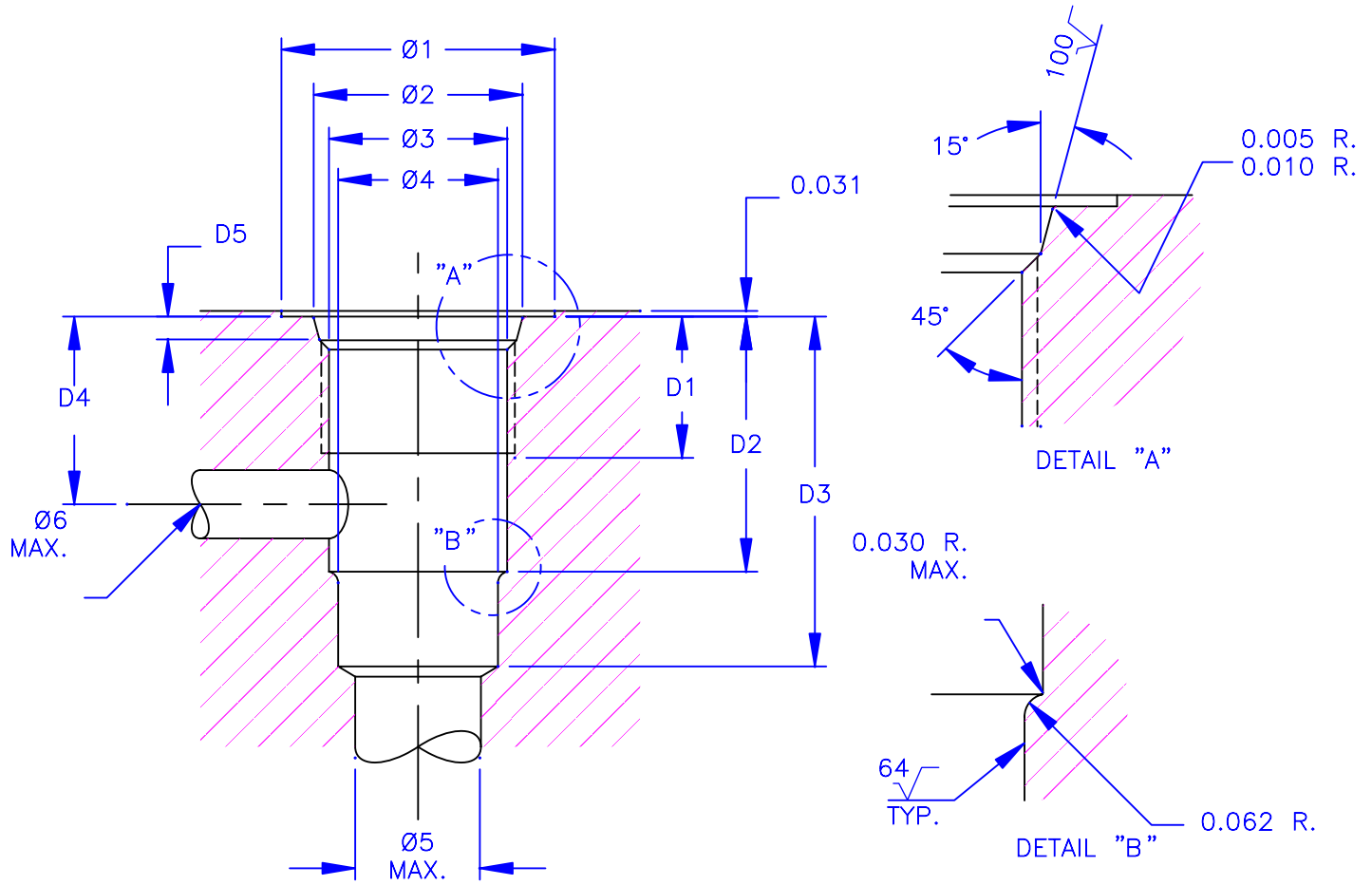




-2 CAVITY DETAILS



	8-2	10-2	12-2	16-2
D1	0.562	0.656	0.750	0.750
D2	0.750	0.932	1.400	1.344
D3	1.156	1.312	1.920	1.844
D4	0.578	0.719	1.030	0.969
D5	$+0.015$ -0.000	0.100	0.130	0.130
Ø1	1.188	1.344	1.625	1.910
Ø2	$+0.005$ -0.000	0.811	0.942	1.398
Ø3	0.690/0.686	0.814/0.810	0.978/0.974	1.236/1.232
Ø4	0.502/0.500	0.627/0.625	0.877/0.875	1.128/1.126
Ø5	0.438	0.562	0.812	1.125
Ø6	0.344	0.406	0.781	0.750
THD	3/4-16 UNF-2B	7/8-14 UNF-2B	1 1/16-12 UN-2B	1 5/16-12 UN-2B



Vonberg Valve, inc.

HYDRAULIC VALVE SPECIALISTS

VONBERG VALVE, INC.
 3800 INDUSTRIAL AVE.
 ROLLING MEADOWS, IL 60008-1085
 PH: (847) 259-3800 FAX: (847) 259-3997